



ANSI Wafer butterfly valves class # 150



Art. 40008

Design & construction: API 609

Connections & dimensions: ASME / ANSI B16.5

Suitable for flanges: RF ANSI #150

Test: API 598

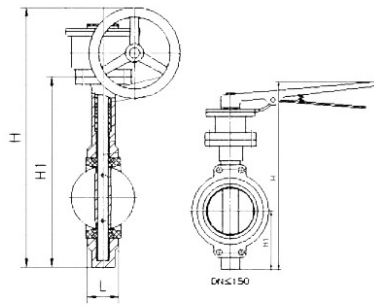
Installation: horizontal / vertical

The wafer butterfly valves are low torque, quarter turn, centered disc butterfly valves, with compact design. They are widely applied as regulation, or on/off valves.

Materials

body	cast steel A216WCB, GP-240-GH+N
disc	cast steel A217 CA15
stem	cast steel A182 F6
seat ring	BUNA-N
lever / reducing gear	cast iron / ductile iron
painting	high chlorinated polyethylene HCPE

Dimensions



DN	L mm.	H1 mm.	H mm.	Weight kg.
50	42	241	355	10
65	44.7	264	378	10
80	45.2	276	390	11
100	52.1	314	428	14
125	54.4	340	454	30
150	55.8	365	479	34
200	60.6	435	628	66
250	65.5	495	688	98
300	76.9	579	767	134
350	76.9	635	823	168
400	86.5	709	990	200
450	105.6	750	1031	250
500	131.8	841	1126	334
600	152	1021	1236	434

Pressure

Hydrostatic test

Pneumatic test

shell

seat

bars

psig

bars

psig

bars

psig

30

435

23

335

5,6

80



Valvotubi ind. S.r.l. ®
Via M.Monti 30/b
48123 Ravenna, Italy

ph +39 0544 452279
fax +39 0544 451148

info@valvotubi.it
www.valvotubi.it