



Cast steel globe valves flanged ANSI #600



Art. 1603

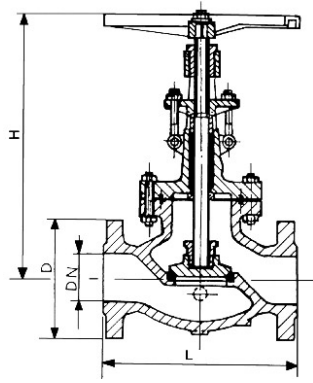
Design & construction: API 600, API 6D  
 Face to face length: ASME / ANSI B16.10  
 Connections & dimensions: ASME / ANSI B16.5, ASME / ANSI B 16.25  
 Flanges: RF ANSI #600  
 Pressure & temperature: ASME / ANSI B16.34  
 Test: API 598

The cast steel globe valves are manufactured according to API, ANSI, ASME standard, for industrial applications. The cast steel globe valves have: outside screw and yoke, bolted bonnet, rising stem with top sealing. Standard materials are A216WCB/F6, other materials and other trims are available upon request. Handwheel operated, with reducing gear upon request.

**Materials**

body-bonnet	cast steel A216WCB, GP240GH+N
stem	A 182 F6
body seat facing	A182 F6
disc seat facing	A182 F6
stem packing	graphite
gasket	graphite
painting	high chlorinated polyethylene HCPE

## Dimensions



DN	L mm.	H mm.	D mm.	Weight kg.
2"	292	350	165	40
3"	356	545	210	72
4"	432	600	273	121
6"	559	780	356	250
8"	660	840	419	450
10"	787	1235	508	736
12"	838	1311	559	960
14"	889	1450	603	1115
16"	991	1650	686	1400

## Pressure

### Hydrostatic test

### Pneumatic test

shell		seat		Pneumatic test	
bars	psig	bars	psig	bars	psig
153	2220	116	1680	5,6	80

