



Wafer butterfly valves for connection PN 10-16, ANSI 150



Art. 1400-1401

Suitable for flanges UNI EN 1092-2 PN 10, PN 16 and ANSI #150

Face to face length: EN 558-1 serie 20, DIN 3202 K1

Design EN 593

Installation: horizontal / vertical

APPLICATIONS • Water supply • Waste water treatment plants • Fire fighting systems • Power plants • Industry • Drinking water • Irrigation • Heating – conditioning systems • * available disc in stainless steel (fig 1401) for salty water

- Fig. 1400: disc in GGG

- Fig. 1401: disc in stainless steel AISI 316

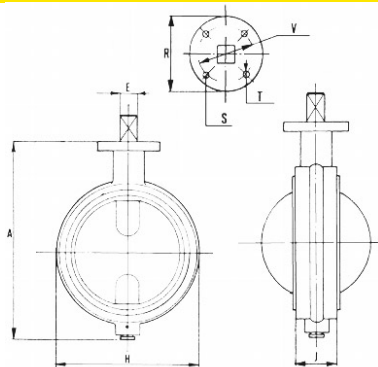
Epoxy painting suitable for drinking water applications.

The wafer butterfly valves are widely applied, thanks to their multiple functions of regulation and on-off valves. Thanks to the EPDM gasket and to the epoxy coating, the wafer butterfly valves can be installed in drinking water plants, but they can also be applied for sewage or brackish water with inox disc (fig.1401) and body not in touch with the fluid. The wafer butterfly valves are manufactured as centric type disc, they can stand both directions of fluid and are maintenance-free. With EPDM sleeve, they can stand maximum 130°C temperature. The wafer butterfly valves can be installed between welding neck flanges EN PN 10-16 and ANSI #150, without any need of additional flange gaskets. Such valves can be installed in any position. The wafer butterfly valves come with lever (standard execution); reducing gear, pneumatic operator with single or double effect, electric actuator on request.

Materials

| | |
|-------------|---|
| body | ductile iron GGG40, EN-GJS-400-15 |
| stem | stainless steel X 20 CR 13 |
| disc | ductile iron GGG40, EN-GJS-400-15 / stainless steel 316 |
| body lining | EPDM / NBR |
| painting | epoxy 200 mcr min. |

Dimensions



| DN | J mm. | H mm. | A mm. | Weight kg. |
|------|-------|-------|-------|------------|
| 40 | 33 | 90 | 154 | 2 |
| 50 | 43 | 102 | 181 | 2.5 |
| 65 | 46 | 122 | 200 | 4.5 |
| 80 | 46 | 135 | 217 | 5 |
| 100 | 52 | 162 | 252 | 6 |
| 125 | 56 | 194 | 292 | 9.5 |
| 150 | 56 | 220 | 322 | 11 |
| 200 | 60 | 274 | 383 | 18 |
| 250 | 68 | 330 | 465 | 20 |
| 300 | 78 | 386 | 530 | 31 |
| 350 | 78 | 447 | 627 | 48.5 |
| 400 | 102 | 510 | 677 | 64 |
| 450 | 114 | 546 | 742 | 75 |
| 500 | 127 | 596 | 792 | 94.5 |
| 600 | 154 | 698 | 915 | 176 |
| 700 | 169 | 813 | 1144 | 250 |
| 800 | 195 | 920 | 1263 | 400 |
| 900 | 211 | 1020 | 1380 | 450 |
| 1000 | 229 | 1127 | 1497 | 650 |
| 1200 | 254 | 1344 | 1835 | 900 |

Pressure

| DN | Nominal pressure | Test pressure Mpa | | Max working pressure Mpa |
|----------|------------------|-------------------|------|--------------------------|
| mm | BAR | body | seat | 80°C |
| 40-300 | 16 | 2,4 | 1,76 | 1,6 |
| 350-1200 | 10 | 1,5 | 1,1 | 1,0 |



Valvotubi ind. S.r.l. ®
Via M.Monti 30/b
48123 Ravenna, Italy

ph +39 0544 452279
fax +39 0544 451148

info@valvotubi.it
www.valvotubi.it